

Full Port Cast Iron Ball Valves



www.sureflowequipment.com



Custom Engineered Strainers



Custom Baskets



Basket Strainers

Fabricated Sanitary Strainers



Y-Strainers



Basket Strainers



Duplex Strainers

Dual Basket Strainers



Automatic Self-Cleaning Strainers



Tee Strainers



Cast Iron Full Port Ball Valves

Cast Iron, Stainless Steel Ball & Stem



As a complement to Sure Flow's extensive line of Flanged Ball Valves, we have available in Cast Iron, a Full Port Ball Valve.

The Sure Flow Simple Quarter Turn Ball Valve has the same face to face dimensions as a standard 125 lb. ANSI Gate Valve. Easily replaces those heavy, hard to open and maintain, Cast Iron Gate Valves and is a simpler, lighter solution.

Standard Features

- Stainless Steel Ball and Stem
- Positive Shut Off / Teflon Seats
- Blow-Out Proof Stem
- Open or Closed or Simple throttling
- Replaces Gate Valves - same End to End Dimension to ANSI B16.10
- Tapped Actuator Mounting Pad for Actuation
- Fused Epoxy Coating
- Full Open or Closed position lockable.
- Removable handles and adjustable for installation limitations.

Specifications

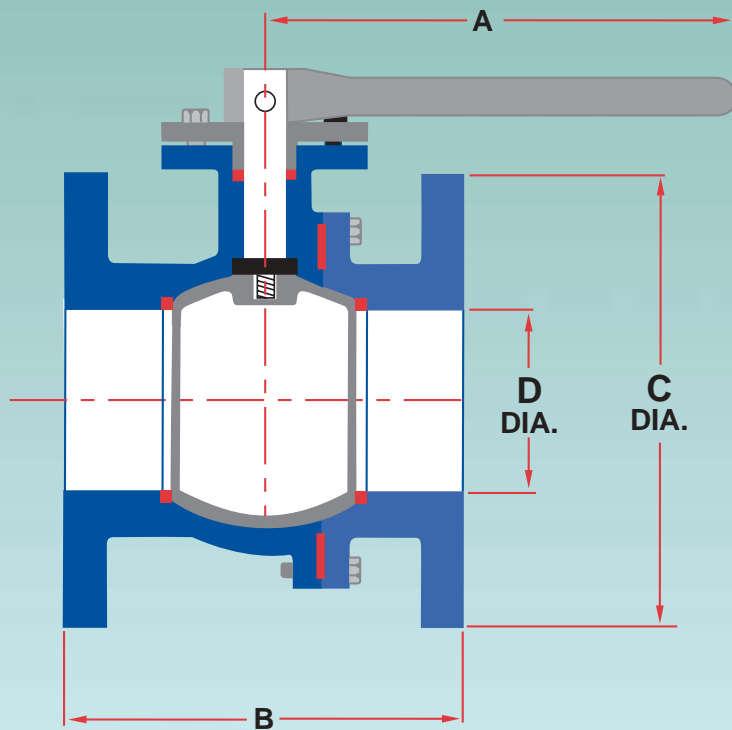
The valve shall comply with American standards for end to end or face to face dimensions (ANSI B16.10) for Class 125 Cast Iron Flanged Gate Valves. Valves shall have a Full Port Stainless Ball with PTFE Seats. The dimensions and drilling of the end flanges conform to Cast Iron Flanged Standard ANSI B16.1.

Materials of Construction

- Body - ASTM A126 Class B - Cast Iron
- Bolting - ASTM A6 - Carbon Steel
- Ball - ASTM A351-304 Stainless Steel
- Stem - AISI 304 - Stainless Steel
- Stem Packing - PTFE
- Travel Stop - ASTM A6 - Carbon Steel
- Gland - ASTM A126 Class B - Cast Iron
- Thrust Washer - PTFE
- Handle - Ductile Iron c/w non-slip grip pad
- Paint - Fused Epoxy Coating
- Seat - PTFE
- Gasket - PTFE



Cast Iron Full Port Ball Valves



Construction

Description	Material
Lever	Ductile Iron
Screw	Carbon Steel
Bolt	Carbon Steel
Gland	Cast Iron
Packing	PTFE
Stem	Stainless Steel
Thrust Washer	PTFE
Seat Ring	PTFE
Spring	Carbon Steel
Ball	Stainless Steel
Body	Cast Iron
Body Gasket	PTFE
Body Bolt	Carbon Steel

Dimensional Data

Size		A	B	C	D	Shipping Weight (lbs)
Inches	Prefix					
2"	0200	10"	7"	6"	2"	32
2-1/2"	0250	16"	7 1/2"	7"	2 1/2"	46
3"	0300	16"	8"	7 1/2"	3"	59
4"	0400	17 11/16"	9"	9"	4"	86
6"	0600	21 11/16"	10 1/2"	11"	6"	148
8"	0800	*	11 1/2"	13 1/2"	8"	425
10"	1000	*	13"	16"	10"	520

* Standard with handwheel and gear actuator.

CV Ratings and Maximum Operating Torque

Size Inches	CV GPM	Torque In lbs
2	410	460
2-1/2	650	650
3	1200	780
4	2400	1416
6	4100	3200
8	8000	5400
10	10410	11900

Note: The flow coefficient (CV) is the number of gallons per minute of water flowing through a given size restriction of a pressure drop of 1 psi. Torque based on a clean water application

Ordering Information

Example: Include full description

Size **Model**
(Prefix) **Number**

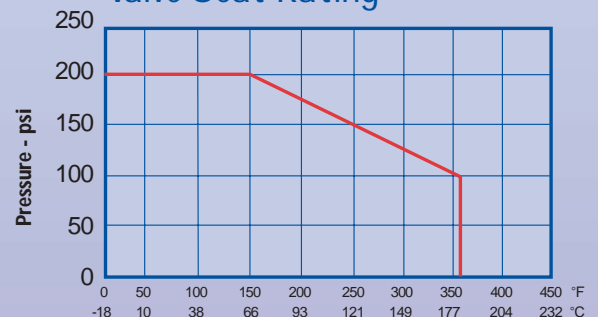
0200 - BV125IS

2" Cast Iron Full Port Ball Valve with
Stainless Steel Ball

Notes:

Manufacturer reserves the right to modify dimensions, materials, or design. Contact factory for certification.

Valve Seat Rating



Industrial Valves and Strainers available from Sure Flow



Ball Valves



Knife Gate Valves



Dual Basket Strainers



Cone Strainers



Foot Valves



Custom Baskets



Check Valves



Butterfly Valves



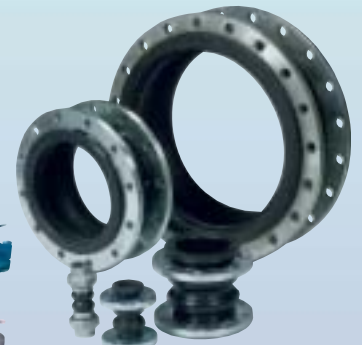
Basket Strainers



Basket Strainers



Duplex Strainers



Pump Connectors

U.S.A.: P.O. Box 321, Tonawanda, New York 14151-0321
1-800-263-8251 • Toll Free Fax 1-800-876-1164

Canada: 3179 Mainway Drive, Burlington, ON L7M 1A6
Tel: 905-335-1350 • Fax: 905-332-4993

Email: info@sureflowequipment.com
Web Site: www.sureflowequipment.com

