

Cast Simplex Strainers

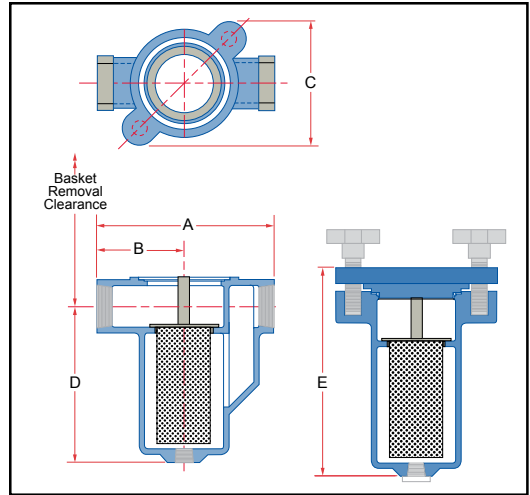
BTC125 - Cast Iron

NPT Threaded and Quick Open Swivel Clamp Cover



Sure Flow Basket Strainers feature top removal of the screen. The screen is in the form of a basket, with a lifting handle, so that all particulate captured and retained by the screen can be easily removed for disposal. They are intended for applications where larger amounts of solid particulate are expected, and where

clean-out will be frequent. Models are standard with "Swivel Clamp Cover" to allow fast and easy screen removal without the use of tools. Covers have BUNA-N O-ring seals eliminating the need to change gaskets each time the strainer is serviced.



Notes:

- Must specify if for steam service
- Manufacturer reserves the right to modify dimensions, materials, or design. Consult factory for certification.

Construction

Cast Iron - Body, Cover - ASTM A126 Class B
BUNA-N - Cover O-Ring
 All screens are Stainless Steel

Dimensions (Inches)									
Size		A	B	C	D	E	Drain	Basket Removal Clearance	Shipping Weight (LBS)
Inches	Prefix								
1/2	0050	6 3/8	2 13/16	5 7/16	5 1/4	7	1/2	5 7/8	18
3/4	0075	6 7/8	3 5/16	5 7/16	5 1/4	7 5/8	1/2	6 1/2	18
1	0100	6 7/8	3 5/16	5 7/16	5 1/4	7 5/8	1/2	6 1/2	18
1 1/4	0125	8 3/8	4 1/8	5 7/8	7 3/8	9 3/4	3/4	9	30
1 1/2	0150	8 3/8	4 1/8	5 7/8	7 3/8	9 3/4	3/4	9	30
2	0200	9 5/8	4 1/2	6 5/8	7 1/8	9 3/4	1	9 1/4	50
2 1/2	0250	12 3/4	5 3/8	8 3/16	8 5/8	12	1 1/2	11 3/8	65
3	0300	13 1/4	5 3/8	8 5/16	12	15 3/4	1 1/2	15	70

Ordering Information

Example: Include full description

Size	Model	Screen
(Prefix)	Number	Opening
0150	BTC125	032

1 1/2" NPT, Basket Strainer, Cast Iron,
 1/32" Perf Screen

Operating Pressures and Temperatures

Type	Size	psi @ Temp WOG
BTC125	1/2" - 3"	200 @ 150 °F

Standard Screens

Size	Standard	Opening
1/2" - 3"	1/32" perf	0.032"



Sure Flow
 Equipment Inc.

Toll Free: 1-800-263-8251 Toll Free Fax: 1-800-876-1164
 International: 1-905-335-1350 International Fax: 1-905-332-4993
 Email: info@sureflowequipment.com www.sureflowequipment.com

