

# Cast Simplex Strainers

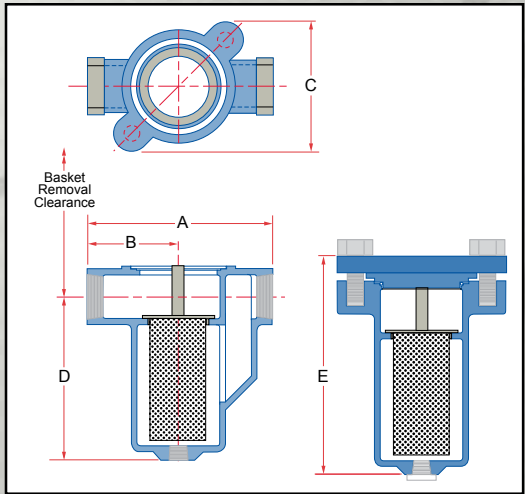
## BTC150SS - Cast 316 Stainless Steel

### NPT Threaded and Quick Open Swivel Clamp Cover



Sure Flow Basket Strainers feature top removal of the screen. The screen is in the form of a basket, with a lifting handle, so that all particulate captured and retained by the screen can be easily removed for disposal. They are intended for applications where larger amounts of solid particulate

are expected, and where clean-out will be frequent. Models are standard with a bolted "Swivel Clamp Cover" to allow fast and easy screen removal with minimal tools. Covers have Viton O-ring seals, eliminating the need to change gaskets each time the strainer is serviced.



#### Notes:

- Must specify if for steam service
- Manufacturer reserves the right to modify dimensions, materials, or design. Consult factory for certification.

#### Construction

**Stainless Steel** - Body, Cover - ASTM A351 Grade CF8M  
**Viton** - Cover O-Ring  
 All screens are Stainless Steel

Dimensions (Inches)									
Size		A	B	C	D	E	Drain	Basket Removal Clearance	Shipping Weight (LBS)
Inches	Prefix								
1/2	0050	6 3/8	2 13/16	5 7/16	5 1/4	7	1/2	5 7/8	18
3/4	0075	6 7/8	3 5/16	5 7/16	5 1/4	7 5/8	1/2	6 1/2	18
1	0100	6 7/8	3 5/16	5 7/16	5 1/4	7 5/8	1/2	6 1/2	18
1 1/4	0125	8 3/8	4 1/8	5 7/8	7 3/8	9 3/4	3/4	9	30
1 1/2	0150	8 3/8	4 1/8	5 7/8	7 3/8	9 3/4	3/4	9	30
2	0200	9 5/8	4	6 5/8	7 1/8	9 3/4	1	9 1/4	50
2 1/2	0250	12 3/4	5 3/8	8 3/16	8 5/8	12	1 1/2	11 3/8	65
3	0300	13 1/4	5 3/8	8 5/16	12	15 3/4	1 1/2	15	70

#### Ordering Information

Example: Include full description

Size                      Model                      Screen  
 (Prefix)                  Number                      Opening  
**0150                      BTC150SS                      032**

1 1/2" NPT, Basket Strainer, Cast Stainless Steel,  
 1/32" Perf Screen

#### Operating Pressures and Temperatures

Type	Size	psi @ Temp WOG
BTC150SS	1/2" - 3"	275 @ 100 °F

#### Standard Screens

Size	Standard	Opening
1/2" - 3"	1/32" perf	0.032"



Toll Free: 1-800-263-8251 Toll Free Fax: 1-800-876-1164  
 International: 1-905-335-1350 International Fax: 1-905-332-4993  
 Email: info@sureflowequipment.com www.sureflowequipment.com