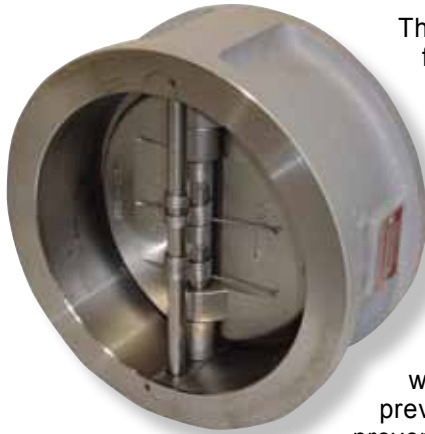


Retainerless Wafer Double Door Check Valves

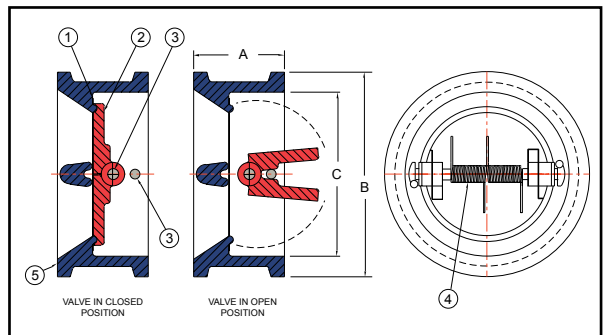
CD125IS - Cast Iron

ASME Class 125 Wafer Design



The **Dual Plate Check Valve** features exceptional flow characteristics. The compact wafer style body is a one piece, retainerless model which eliminates potential leak paths. The dual discs are designed to provide maximum strength with minimum opening time. The full contact seats maintain positive shut-off at minimum

working pressure. Torsion springs assist in positive shut-off and disc closure, preventing backflow. The two heavy duty, corrosion resistant shafts act as stops to prevent over-travel of the discs. Thrust washers reduce friction and wear of the valve disc hinges.



Notes:

- It is recommended that valves be installed 7 to 10 pipe lengths away from the turbulence.

Manufacturer reserves the right to modify dimensions, materials, or design. Consult factory for certification.

Construction		
Item	Description	Material
1	Seat / Seal	Buna-N
2	Discs	A351 Gr. CF8M Stainless Steel
3	Shaft	A351 Gr. CF8M Stainless Steel
4	Torsion Spring	A351 Gr. CF8M Stainless Steel
5	Cast Body	A126 Class B Cast Iron

Dimensions (Inches)						
Size		A	B	C	Cv	Shipping Weight (LBS)
Inches	Prefix					
2	0200	2 1/8	4 1/8	2 3/8	48	6
2 1/2	0250	2 1/8	4 7/8	2 5/16	100	7
3	0300	2 1/4	5 3/8	3 3/4	181	10
4	0400	2 1/2	6 3/8	4 1/2	291	14
5	0500	2 3/4	7 11/16	5 11/16	494	19
6	0600	3	8 3/4	6 5/8	705	25
8	0800	3 3/4	11	8 5/8	1,795	42
10	1000	4 1/4	13 3/8	10 3/4	2,563	72
12	1200	5 5/8	16	12 5/8	4,259	116
14	1400	7 1/4	16 5/8	13 11/16	5,436	182
16	1600	7 1/2	20 1/8	16 11/16	7,355	243
18	1800	8	21 5/8	18	9,537	334
20	2000	8 3/8	23 7/8	20 1/4	12,004	430
24	2400	8 3/4	28 1/4	23 3/4	17,804	582
26	2600	11 1/4	30 1/2	24 3/4	30,000	1,128
28	2800	12 5/8	32 3/4	27 5/8	33,600	1,293
30	3000	12	34 13/16	30 1/8	38,400	1,356
32	3200	14 1/2	37	30 11/16	48,000	1,746
36	3600	14 1/2	41 1/4	34	55,200	2,125
40	4000	16	45 3/4	38 13/16	84,000	3,011
42	4200	17	48	41 13/16	96,000	3,795
48	4800	20 5/8	54 1/2	47	117,600	5,566
54	5400	21 1/4	60 7/8	50 1/2	141,300	6,831

Ordering Information

Example: Include full description

Size Model
(Prefix) Number
0400 CD125IS

4" Wafer Check Valve, Cast Iron, 316 Stainless Steel Discs, Buna-N Seat

Operating Pressures and Temperatures		
Type	Size	psi @ Temp WOG
CD125IS	2" - 12"	200 @ 150 °F
	14" - 54"	150 @ 150 °F



Sure Flow
Equipment Inc.

Toll Free: 1-800-263-8251 Toll Free Fax: 1-800-876-1164
International: 1-905-335-1350 International Fax: 1-905-332-4993
Email: info@sureflowequipment.com www.sureflowequipment.com

