

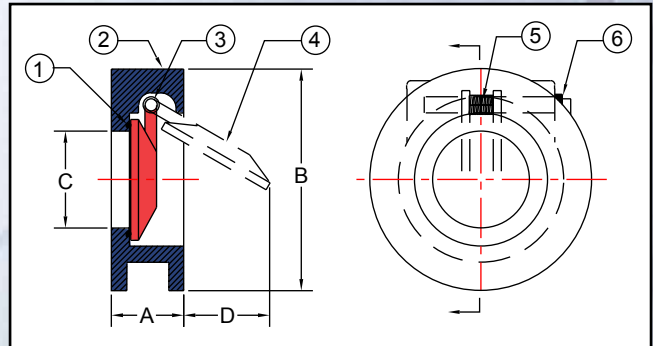
Wafer Swing Check Valves

CSW125IS - Cast Iron

ASME Class 125 Wafer Swing Disc Design



The **Wafer Swing Check Valve** incorporates several features distinguishing it from conventional check valves for silent, fast, non-slam operation. The most prominent of these is the accurately machined disc and its special quick closing action. Spring loading of the 316 Stainless Steel disc assures instantaneous closure to reversing flow, preventing build-up of momentum, which is the cause of damaging water hammer. The hinge pin design assures free movement of the disc and eliminates seizure under extreme conditions. A Buna-N soft seat insert on the CSW125IS is standard for positive sealing of hard-to-hold solvents and fluids. A lifting eye hook is standard on 8" to 16" valves.



Notes:

- It is recommended that valves be installed 7 to 10 pipe lengths away from the turbulence.

Manufacturer reserves the right to modify dimensions, materials, or design. Consult factory for certification.

Construction		
Item	Description	Material
1	O-Ring Seal	Buna-N
2	Cast Body	ASTM A126 Class B
3	Shaft	316 Stainless Steel
4	Disc	316 Stainless Steel
5	Torsion Spring	316 Stainless Steel
6	Plug	ASTM A126 Class B

Dimensions (Inches)							
Size		A	B	C	D	Cv	Shipping Weight (LBS)
Inches	Prefix						
2	0200	2 1/4	4 1/8	1 1/2	7/8	70	10
2 1/2	0250	2 3/8	4 7/8	1 3/4	1	190	12
3	0300	2 5/8	5 3/8	2 1/8	1 1/2	225	17
4	0400	2 1/4	6 7/8	3 1/8	2 1/4	295	26
5	0500	2 1/2	7 3/4	3 7/8	2 1/2	430	36
6	0600	2 3/4	8 3/4	4 3/4	2 3/4	700	53
8	0800	2 7/8	11	6 1/2	4	1,270	72
10	1000	3 1/8	13 3/8	7 3/4	7 3/16	2,350	115
12	1200	3 3/8	16 1/8	9 1/2	9	3,850	140
14	1400	4 1/4	17 5/8	10 1/8	9 3/4	4,250	170
16	1600	4 1/4	20 1/4	11 1/4	12	7,000	200

Ordering Information

Example: Include full description

Size Model
(Prefix) Number
0400 CSW125IS

4" Wafer Swing Check Valve, Cast Iron, 316 Stainless Steel Disc, Buna-N Seat

Operating Pressures and Temperatures		
Type	Size	psi @ Temp WOG
CSW125IS	2" - 12"	200 @ 150 °F
	14" - 16"	150 @ 150 °F



Toll Free: 1-800-263-8251 Toll Free Fax: 1-800-876-1164
International: 1-905-335-1350 International Fax: 1-905-332-4993
Email: info@sureflowequipment.com www.sureflowequipment.com