

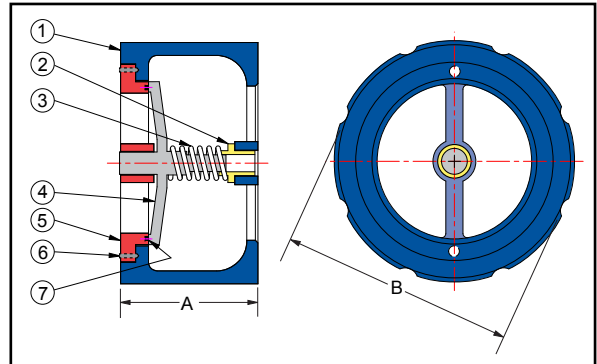
# Silent Wafer Check Valves

## CW125ISC - Cast Iron

### ASME Class 125 Wafer Design



**Sure Flow Wafer Check Valves** are designed to close before the pump stops completely. This prevents flow reversal which eliminates water hammer and system surges associated with valve closure.



They feature quiet operation, a guided disc and can be installed in the vertical or horizontal position. The CW125ISC Wafer Check Valves are offered in sizes ranging from 2" to 12".

#### Notes:

- It is recommended that valves be installed 7 to 10 pipe lengths away from the turbulence.
- \* 12" size has special full lug pattern.
- Consult factory for optional construction materials and installation instructions. Optional resilient seating of Buna-N or Viton available for 6" size and larger.

Manufacturer reserves the right to modify dimensions, materials, or design. Consult factory for certification.

Construction		
Item	Description	Material
1	Cast Body	A126 Class B
2	Bushing	Stainless Steel
3	Spring	Stainless Steel
4	Disc	A351 Gr. CF8M
5	Seat	A351 Gr. CF8M
6	Screw	Stainless Steel
7	(Optional) Quad Ring	Buna-N

Dimensions (Inches)					
Size		A	B	Cv	Shipping Weight (LBS)
Inches	Prefix				
2	0200	2 5/8	4	60	7
2 1/2	0250	2 7/8	4 3/4	88	9
3	0300	3 1/8	5 1/4	125	15
4	0400	4	6 3/4	215	25
5	0500	4 5/8	7 5/8	340	32
6	0600	5 1/2	8 5/8	410	56
8	0800	6 1/2	10 3/4	720	100
10	1000	8 1/4	13 1/8	1,200	140
*12	1200	11 1/4	19	1,700	370

### Ordering Information

Example: Include full description

Size	Model
(Prefix)	Number
<b>0250</b>	<b>CW125ISC</b>

2 1/2" Flat Face Wafer Silent Check Valve, Cast Iron,  
316 Stainless Steel Disc.

Operating Pressures and Temperatures		
Type	Size	psi @ Temp WOG
CW125ISC	2" - 12"	200 @ 150 °F



**Sure flow**  
Equipment Inc.

Toll Free: 1-800-263-8251 Toll Free Fax: 1-800-876-1164  
International: 1-905-335-1350 International Fax: 1-905-332-4993  
Email: info@sureflowequipment.com www.sureflowequipment.com

