

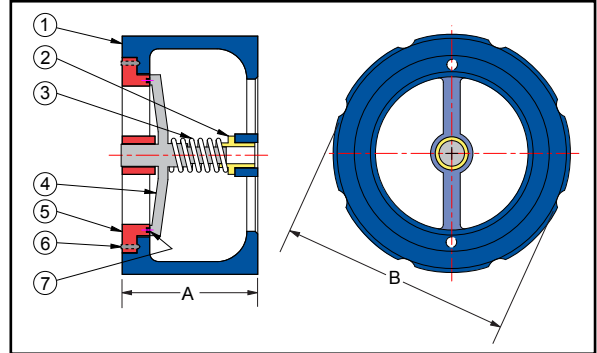
Silent Wafer Check Valves

CW150C - Cast Steel
CW150SS - Cast Stainless Steel

ASME Class 150 Wafer Design



Sure Flow Wafer Check Valves are designed to close before the pump stops completely. This prevents flow reversal which eliminates water hammer and system surges associated with valve closure.



They feature quiet operation, a guided disc and can be installed in the vertical or horizontal position. The CW150C and CW150SS Wafer Check Valves are offered in sizes ranging from 2" to 12".

Notes:

- It is recommended that valves be installed 7 to 10 pipe lengths away from the turbulence.
- * 12" size has special full lug pattern.
- Consult factory for optional construction materials and installation instructions. Optional resilient seating of Buna-N or Viton available for 6" size and larger.

Manufacturer reserves the right to modify dimensions, materials, or design. Consult factory for certification.

Construction		
Item	Description	Material
1	Cast Body - Carbon	A216 Gr. WCB
	Cast Body - Stainless	A351 Gr. CF8M
2	Bushing	Stainless Steel
3	Spring	Stainless Steel
4	Disc	A351 Gr. CF8M
5	Seat	A351 Gr. CF8M
6	Screw	Stainless Steel
7	(Optional) Quad Ring	Buna-N

Dimensions (Inches)					
Size		A	B	Cv	Shipping Weight (LBS)
Inches	Prefix				
2	0200	2 5/8	4	60	7
2 1/2	0250	2 7/8	4 3/4	88	9
3	0300	3 1/8	5 1/4	125	15
4	0400	4	6 3/4	215	25
5	0500	4 5/8	7 5/8	340	32
6	0600	5 1/2	8 5/8	410	56
8	0800	6 1/2	10 3/4	720	100
10	1000	8 1/4	13 1/8	1,200	140
*12	1200	11 1/4	19	1,700	370

Ordering Information

Example: Include full description

Size Model
(Prefix) Number
0800 CW150SS

8" Raised Face Wafer Silent Check Valve, Cast Stainless Steel,
316 Stainless Steel Disc.

Operating Pressures and Temperatures

Type	Size	psi @ Temp WOG
CW150C	2" - 12"	285 @ 100 °F
CW150SS	2" - 12"	275 @ 100 °F



Sure Flow
Equipment Inc.

Toll Free: 1-800-263-8251 Toll Free Fax: 1-800-876-1164
International: 1-905-335-1350 International Fax: 1-905-332-4993
Email: info@sureflowequipment.com www.sureflowequipment.com

