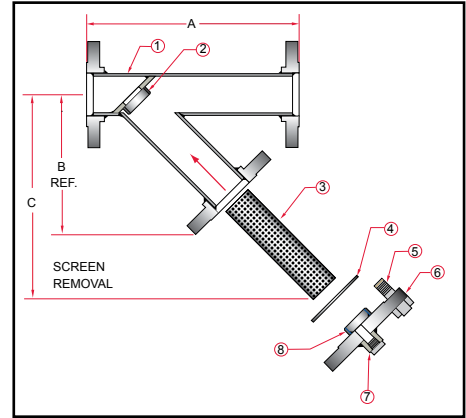


Fabricated Y Strainers

FW150 / FW300 - Carbon Steel
FW150SS / FW300SS - Stainless Steel



Sure Flow Fabricated "Y" Strainers can be designed to your specific application in Carbon Steel or Stainless Steel, along with other materials such as exotic alloys. Pipe sizes 2" to 24" in Class 150 and Class 300 ASME flanges are standard with the capability to supply larger pipe sizes and/or



higher ASME pressure ratings. Screen sizes can be tailored to hold sufficient solids for the required time between clean-outs. Flange sizes can be chosen to fit existing piping, or to achieve the required clean pressure drop. Hinge covers are also available for quick opening. Please contact factory for details.

Notes:

- Higher ASME pressure ratings available
- Larger sizes available

Manufacturer reserves the right to modify dimensions, materials, or design. Consult factory for certification.

		Construction							
Item		1	2	3	4	5	6	7	8
Description		Body Assembly	Screen Guide	Screen	Gasket	Bolting	Blind Flange	Drain Assembly	Screen Guide

Dimensions (Inches)				
Size		A	B	C
Inches	Prefix	150 and 300	150 and 300	150 and 300
2	0200	12	8 1/2	12
2 1/2	0250	13	10	14
3	0300	15	11	16 1/2
4	0400	18	13	18
5	0500	18	14 1/2	21
6	0600	24	16	23
8	0800	30	21	30
10	1000	34	23	33
12	1200	36	24	38
14	1400	36	30 1/2	43
16	1600	41 9/16	32	51
18	1800	46	35	57
20	2000	49 1/2	39	61
24	2400	58 3/8	44	70

Ordering Information

Example: Include full description

Size	Model	Screen
(Prefix)	Number	Opening
1400	FW300	125

14" "Y" Strainer, Carbon Steel, Class 300 ASME Flanges, 1/8" Perf Screen, Bolted Cover

Operating Pressures and Temperatures			
Type	Size	psi @ Temp Steam	psi @ Temp WOG
FW150	2" - 24"	150 @ 366 °F	285 @ 100 °F
FW150SS	2" - 24"	150 @ 366 °F	275 @ 100 °F
FW300	2" - 24"	300 @ 422 °F	740 @ 100 °F
FW300SS	2" - 24"	300 @ 422 °F	720 @ 100 °F



Sure flow
Equipment Inc.

Toll Free: 1-800-263-8251 Toll Free Fax: 1-800-876-1164
 International: 1-905-335-1350 International Fax: 1-905-332-4993
 Email: info@sureflowequipment.com www.sureflowequipment.com

