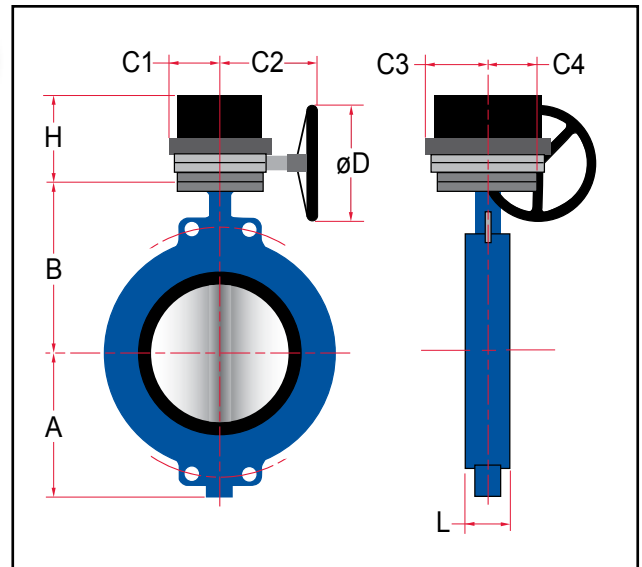


Dimensional Data - Gear Operator



Notes:

- Sizes 30", 36", 42" and 48" are also available. Consult factory for specifications.

Manufacturer reserves the right to modify dimensions, materials, or design. Consult factory for certification.

Dimensions (Inches)										
Size		A	B	C1	C2	C3	C4	D	H	L
Inches	Prefix									
2	0200	3 1/8	5 9/16	2 1/16	6 1/16	2 1/16	1 3/4	5 7/8	2 13/16	1 5/8
2 1/2	0250	3 1/2	6 1/8	2 1/16	6 1/16	2 1/16	1 3/4	5 7/8	2 13/16	1 3/4
3	0300	3 3/4	6 5/16	2 1/16	6 1/16	2 1/16	1 3/4	5 7/8	2 13/16	1 3/4
4	0400	4 1/2	7 1/16	2 1/16	6 1/16	2 1/16	1 3/4	5 7/8	2 13/16	2
5	0500	5	7 5/8	2 1/16	6 1/16	2 1/16	1 3/4	5 7/8	2 13/16	2 1/8
6	0600	5 1/2	8 1/16	2 1/16	6 1/16	2 1/16	1 3/4	5 7/8	2 13/16	2 1/8
8	0800	6 7/8	9 13/16	3	9 1/4	3	2 1/2	11 13/16	3 1/4	2 1/2
10	1000	8 1/8	11 1/8	3	9 1/4	3	2 1/2	11 13/16	3 1/4	2 1/2
12	1200	9 1/2	12 13/16	3 3/16	9 1/4	3 3/16	3 1/8	11 13/16	3 1/4	3
14	1400	10 1/2	14 1/8	3 3/16	9 1/4	3 3/16	3 1/8	11 13/16	3 1/4	3 1/8
16	1600	12 3/16	15 3/4	4 1/16	10 15/16	4 1/16	7 1/8	11 13/16	5 5/16	4
18	1800	12 15/16	16 5/8	4 1/16	10 15/16	4 1/16	7 1/8	11 13/16	5 5/16	4 1/2
20	2000	14 3/16	18 7/8	4 1/16	10 15/16	4 1/16	7 1/8	11 13/16	5 5/16	5 1/4
24	2400	18 1/16	22 1/8	5 7/16	11 15/16	5 7/16	7 7/8	11 13/16	5 3/8	6 1/8



**Sure flow
Equipment Inc.**

Toll Free: 1-800-263-8251 Toll Free Fax: 1-800-876-1164
 International: 1-905-335-1350 International Fax: 1-905-332-4993
 Email: info@sureflowequipment.com www.sureflowequipment.com

