

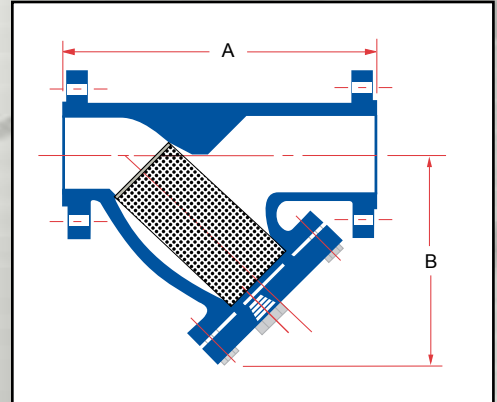
Cast Y Strainers

YF1500 / YF1500SS - Cast Steel / Cast 316 Stainless Steel
YF1500LCC - Cast Low Temperature Carbon Steel

Class 1500 Flanged or RTJ End Connections



Sure Flow Class 1500 ASME Flanged Cast Y Strainers are available in both Carbon Steel and Stainless Steel. They provide economical protection for Water, Oil or Gas service. A machined, tapered seat ensures a perfect fit for the removable, stainless steel screen. These strainers may be installed in vertical or horizontal pipelines with the blow-off connection at the lower end of the screen.



Notes:

- Must specify if for steam service
- Units are standard with no drain.

Manufacturer reserves the right to modify dimensions, materials, or design. Consult factory for certification.

Construction

Carbon Steel - Body, Cover - ASTM A216 Grade WCB

Stainless Steel - Body, Cover - ASTM A351 Grade CF8M

Low Temperature Carbon Steel - Body, Cover - ASTM A352 Grade LCC

All screens are Stainless Steel

| Dimensions (Inches) | | | | | |
|---------------------|--------|--------|----------|--------------|-----------------------|
| Size | | A | B | Blow-Off NPT | Shipping Weight (LBS) |
| Inches | Prefix | | | | |
| 2 | 0200 | 15 1/4 | 11 11/16 | optional | 152 |
| 3 | 0300 | 20 1/4 | 14 1/2 | optional | 290 |
| 4 | 0400 | 23 1/4 | 18 1/8 | optional | 504 |

For YF1500 6-inch size and YF1500 8-inch size:

FWT1500 6-inch size and FWT1500 8-inch size Fabricated Y Strainers are used.

Ordering Information

Example: Include full description

Size (Prefix) Model Number Screen Opening
0200 **YF1500** **045**

2" Flanged, Y Strainer, Cast Steel, Class 1500
ASME Flanges, 3/64" Perf Screen

Operating Pressures and Temperatures

| Type | Size | psi @ Temp Steam* | psi @ Temp WOG |
|-----------|---------|-------------------|----------------|
| YF1500 | 2" - 4" | 1500 @ 596 °F | 3705 @ 100 °F |
| YF1500SS | 2" - 4" | 1500 @ 596 °F | 3600 @ 100 °F |
| YF1500LCC | 2" - 4" | 1500 @ 596 °F | 3750 @ 100 °F |

Standard Screens

| Size | Standard | Opening |
|---------|------------|---------|
| 2" - 3" | 3/64" perf | 0.045" |
| 4" | 1/8" perf | 0.125" |



**Sure Flow
Equipment Inc.**

Toll Free: 1-800-263-8251 Toll Free Fax: 1-800-876-1164
International: 1-905-335-1350 International Fax: 1-905-332-4993
Email: info@sureflowequipment.com www.sureflowequipment.com