

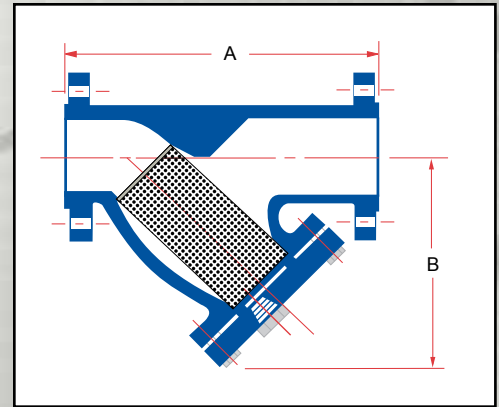
# Cast Y Strainers

YF600 / YF600SS - Cast Steel / Cast 316 Stainless Steel

**Class 600 Flanged or RTJ End Connections**



Sure Flow Class 600 ASME Flanged Cast Y Strainers are available in both Carbon Steel and Stainless Steel. They provide economical protection for Water, Oil or Gas service. A machined, tapered seat ensures a perfect fit for the removable, stainless steel screen.



These strainers may be installed in vertical or horizontal pipelines with the blow-off connection at the lower end of the screen.

## Notes:

- Must specify if for steam service
- Manufacturer reserves the right to modify dimensions, materials, or design. Consult factory for certification.

## Construction

**Carbon Steel** - Body, Cover - ASTM A216 Grade WCB  
**Stainless Steel** - Body, Cover - ASTM A351 Grade CF8M  
 All screens are Stainless Steel

Size		Dimensions (Inches)			
Inches	Prefix	A	B	Blow-Off NPT	Shipping Weight (LBS)
2	0200	11	6 1/8	1/2	53
2 1/2	0250	12	7 1/4	1	79
3	0300	13 1/2	8	1 1/4	100
4	0400	17 15/16	9 3/8	1 1/2	210
5	0500	22 1/4	12 3/8	2	330
6	0600	25 5/8	17 1/4	2	410
8	0800	31 3/4	18 1/2	2	834
10	1000	37 11/16	21 5/8	2	1200
12	1200	42	26 3/4	2	1445

## Ordering Information

Example: Include full description

Size                      Model                      Screen  
 (Prefix)                  Number                      Opening  
**0500                      YF600SS                      125**

5" Flanged, Y Strainer, Cast Stainless Steel, Class 600  
 ASME Flanges, 1/8" Perf Screen

## Operating Pressures and Temperatures

Type	Size	psi @ Temp Steam*	psi @ Temp WOG
YF600	2" - 12"	600 @ 486 °F	1480 @ 100 °F
YF600SS	2" - 12"	600 @ 486 °F	1440 @ 100 °F

## Standard Screens

Size	Standard	Opening
2" - 3"	3/64" perf	0.045"
4" - 12"	1/8" perf	0.125"



**Sure flow**  
 Equipment Inc.

Toll Free: 1-800-263-8251 Toll Free Fax: 1-800-876-1164  
 International: 1-905-335-1350 International Fax: 1-905-332-4993  
 Email: info@sureflowequipment.com www.sureflowequipment.com

