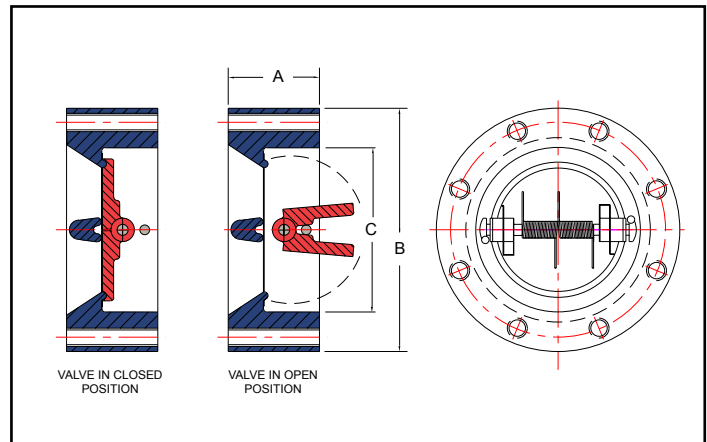


Retainerless Check Valves - FE Series

ASME Class 150 and ASME Class 300 Lug Style Body

Cv Values

Size	2"	3"	4"	6"	8"	10"
Cv	48	181	291	705	1,795	2,563



ASME Class 150 Lug Dimensions (Inches)

Size	A	B	C	Weight (LBS)
2"	2 3/8	6	2 3/8	18
3"	2 7/8	7 1/2	3 3/4	30
4"	2 7/8	9	4 1/2	48
6"	3 7/8	11	6 5/8	81
8"	5	13 1/2	8 5/8	159
10"	5 3/4	16	10 3/4	235

ASME Class 300 Lug Dimensions (Inches)

Size	A	B	C	Weight (LBS)
2"	2 3/8	6 1/2	2 3/8	20
3"	2 7/8	8 1/4	3 3/4	35
4"	2 7/8	10	4 1/2	58
6"	3 7/8	12 1/2	6 5/8	114
8"	5	15	8 5/8	197
10"	5 3/4	17 1/2	10 3/4	291

Notes:

Manufacturer reserves the right to modify dimensions, materials, or design. Consult factory for certification.



**Sure Flow
Equipment Inc.**

Toll Free: 1-800-263-8251 Toll Free Fax: 1-800-876-1164
 International: 1-905-335-1350 International Fax: 1-905-332-4993
 Email: info@sureflowequipment.com www.sureflowequipment.com

