

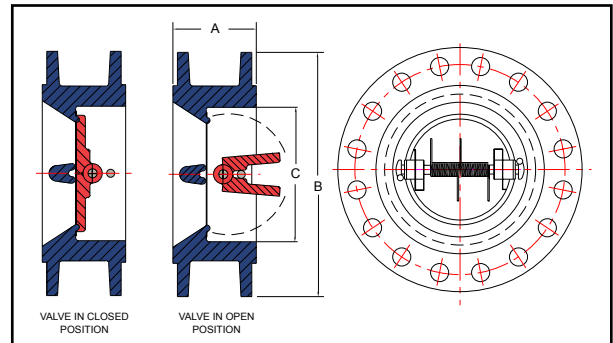
# Retainerless Check Valves - FE Series

## ASME Class 150 to ASME Class 600 Flange Style Body

Cv Values

Size	12"	14"	16"	18"	20"	24"	26"	28"
Cv	4,259	5,436	7,355	9,537	12,004	17,804	30,000	33,600

Size	30"	32"	36"	40"	42"	48"	54"
Cv	38,400	48,000	55,200	84,000	96,000	117,600	141,300



ASME Class 150 Dimensions (Inches)				
Size	A	B	C	Weight (LBS)
12"	7 1/8	19	12 5/8	230
14"	7 1/4	21	13 11/16	283
16"	7 1/2	23 1/2	16 11/16	364
18"	8	25	18	438
20"	8 5/8	27 1/2	20 1/4	569
24"	8 3/4	32	23 3/4	784
26"	11 1/4	34 1/4	24 3/4	1,316
28"	12 5/8	36 1/2	27 5/8	1,472
30"	12	38 3/4	30 1/8	1,576
32"	14	41 3/4	30 11/16	2,135
36"	14 1/2	46	34	2,682
40"	17	50 3/4	38 13/16	3,600
42"	17	53	41 13/16	4,177
48"	20 5/8	59 1/2	47	6,386
54"	21 1/4	66 5/8	50 1/2	8,164

ASME Class 300 Dimensions (Inches)				
Size	A	B	C	Weight (LBS)
12"	7 1/8	20 1/2	12 5/8	261
14"	8 3/4	23	13 3/4	405
16"	9 1/8	25 1/2	16 11/16	519
18"	10 3/8	28	18	711
20"	11 1/2	30 1/2	20 1/4	936
24"	12 1/2	36	23 3/4	1,417
26"	14	38 1/4	24 3/4	1,796
28"	15	40 3/4	27 5/8	2,181
30"	14 1/2	43	30 1/8	2,343
32"	16	45 1/4	30 13/16	2,861

ASME Class 600 Dimensions (Inches)				
Size	A	B	C	Weight (LBS)
12"	9	22	12 5/8	415
14"	10 3/4	23 3/4	13 3/4	577
16"	12	27	16 11/16	835
18"	14 1/4	29 1/4	18	1,164
20"	14 1/2	32	20 1/4	1,417
24"	17 1/4	37	23 3/4	2,249
26"	18	40	24 3/4	2,745
28"	19	42 1/4	27 5/8	3,236
30"	19 7/8	44 1/2	30 1/8	3,752
32"	21	47	30 13/16	4,420

**Notes:**

Manufacturer reserves the right to modify dimensions, materials, or design. Consult factory for certification.