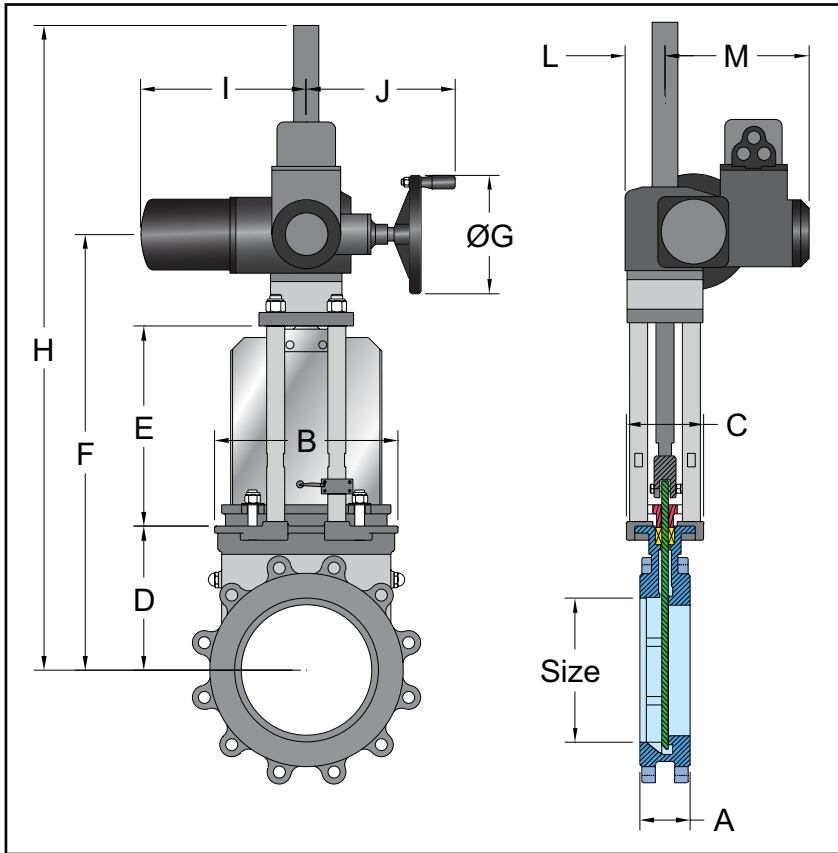


Electric Actuator



▲ Electric actuator

▲ Rising stem

▲ The standard electric motor is equipped with:
Manual emergency operation
Limit switches (open / closed)
Torque switches

Dimensions (Inches)

Size	A	B	C	D	E	F	ØG	H	I	J	L	M	Torque (lbf-in)
2	1 37/64	4 11/16	3 15/16	4 1/8	5 5/64	14 3/32	6 5/16	21 17/32	10 7/16	9 13/16	2 7/16	9 11/32	177
2 1/2	1 37/64	5 9/32	3 15/16	4 17/32	5 3/4	15 29/32	6 5/16	21 17/32	10 7/16	9 13/16	2 7/16	9 11/32	221
3	1 31/32	5 7/8	3 15/16	4 7/8	6 3/8	16 57/64	6 5/16	23 37/64	10 7/16	9 13/16	2 7/16	9 11/32	265
4	1 31/32	6 21/32	3 15/16	5 33/64	7 25/64	18 1/2	6 5/16	25 13/34	10 7/16	9 13/16	2 7/16	9 11/32	354
5	1 31/32	7 3/32	3 15/16	5 29/32	8 5/16	19 27/32	6 5/16	26 17/32	10 7/16	9 13/16	2 7/16	9 11/32	442
6	2 23/64	8 9/32	3 15/16	6 57/64	9 21/64	21 55/64	6 5/16	44 19/64	10 7/16	9 13/16	2 7/16	9 11/32	531
8	2 23/64	10 5/16	4 13/16	8 5/64	12 5/32	26 21/64	7 7/8	50 3/4	11 7/64	10 5/64	2 7/16	9 23/32	619
10	2 3/4	12 33/64	4 13/16	9 27/32	14 21/64	30 17/64	7 7/8	53 1/8	11 7/64	10 5/64	2 7/16	9 23/32	708
12	2 3/4	14 21/32	4 13/16	11 13/16	16 5/16	34 7/32	7 7/8	57 1/4	11 7/64	10 5/64	2 7/16	9 23/32	796
14	3 25/32	16 31/32	7 3/4	13 5/16	19 11/16	38 7/64	7 7/8	61 9/64	11 7/64	10 5/64	3 23/64	9 23/32	929
16	3 15/16	19 1/8	7 3/4	15 7/16	21 21/32	42 13/64	7 7/8	65 1/4	11 7/64	10 5/64	3 23/64	9 23/32	1062
18	4 11/64	21 1/4	10 5/8	17 1/64	23 35/64	47 7/16	12 13/32	71 1/16	15 5/32	12 25/32	3 35/64	11 7/32	1416
20	4 21/64	23 45/64	10 5/8	19 3/32	25 29/32	51 57/64	12 13/32	75 33/64	15 5/32	12 25/32	3 35/64	11 7/32	1593
24	4 21/64	27 7/8	10 5/8	23 7/32	29 27/32	60 1/32	12 13/32	87 33/64	15 5/32	12 25/32	3 35/64	11 7/32	1859
28	4 21/64	32 53/64	14 31/32	27 1/64	35 7/16	69 13/32	12 13/32	112 1/16	15 5/32	12 25/32	3 35/64	11 7/32	2036
30	4 21/64	34 13/16	14 31/32	29 59/64	37 13/64	74 3/32	15 3/4	116 47/64	15 5/32	13 1/16	3 35/64	11 7/32	2301
32	4 21/64	39 31/32	12 39/64	31 9/64	38 37/64	76 11/16	15 3/4	119 11/32	15 5/32	13 1/16	3 35/64	11 7/32	2567
36	4 21/64	40 15/16	12 39/64	35 1/4	42 51/64	84 59/64	15 3/4	127 9/16	15 5/32	13 1/16	3 35/64	11 7/32	2876
40	4 21/64	45 9/32	12 39/64	38 3/8	47 15/64	92 17/32	15 3/4	135 5/64	15 5/32	13 1/16	3 35/64	11 7/32	3275
48	5 29/32	55 1/8	17 23/32	48 27/64	58 15/32	119 3/32	19 11/16	170 15/32	20 5/64	13 63/64	4 17/32	12 13/64	5753



**Sure Flow
Equipment Inc.**

Toll Free: 1-800-263-8251 Toll Free Fax: 1-800-876-1164
International: 1-905-335-1350 International Fax: 1-905-332-4993
Email: info@sureflowequipment.com www.sureflowequipment.com

