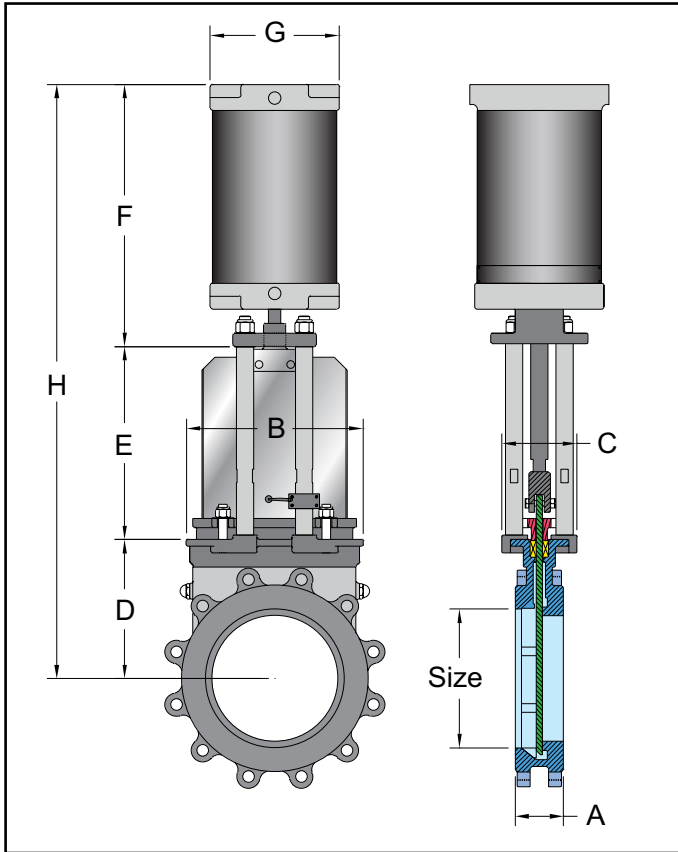


Pneumatic Actuator



- ▲ The standard pneumatic actuator (double acting on-off cylinder) consists of:
 - Aluminum jacket and covers
 - Stainless steel (AISI 304) piston rod
 - Nitrile coated steel piston
- ▲ Available from 2" to 40"
- ▲ Supply Pressure: minimum 50 psi - maximum 142 psi
- ▲ For valves installed in a horizontal position, we recommend U-type support plates and/or actuator support.
- ▲ Options:
 - Hard anodized jacket and covers
 - Over / Undersized cylinder
 - Stainless steel jacket and covers
 - Manual override
 - Fail safe system
 - Travel stops
- ▲ Instrumentation (on request):
 - Positioners
 - Solenoid valves
 - Flow regulators
 - Air preparation units

Dimensions (Inches)

Size	A	B	C	D	E	F	G	H	Weight (lb.)	Standard Cylinder	Air Connection
2	1 37/64	4 11/16	3 15/16	4 1/8	5 5/64	7	4 17/32	16 7/32	20	C100/62	1/4"
2 1/2	1 37/64	9 9/32	3 15/16	4 33/64	5 3/4	7 19/32	4 17/32	17 7/8	22	C100/77	1/4"
3	1 31/32	5 7/8	3 15/16	4 7/8	6 3/8	8 5/16	4 17/32	19 9/16	24	C100/95	1/4"
4	1 31/32	6 21/32	3 15/16	5 1/2	7 3/8	9 3/32	4 17/32	21 31/32	33	C100/115	1/4"
5	1 31/32	7 5/64	3 15/16	5 29/32	8 19/64	10 43/64	5 1/2	24 7/8	44	C125/143	1/4"
6	2 23/64	8 3/8	3 15/16	6 57/64	9 21/64	11 21/32	5 1/2	27 7/8	55	C125/168	1/4"
8	2 23/64	10 5/16	4 13/16	8 1/16	12 5/32	14 3/32	6 57/64	34 21/34	97	C160/220	1/4"
10	2 3/4	12 33/64	4 13/16	9 27/32	14 21/64	16 55/64	8 21/32	41 1/32	147	C200/270	3/8"
12	2 3/4	14 41/64	4 13/16	11 13/16	16 19/64	18 13/16	8 21/32	46 15/16	180	C200/320	3/8"
14	3 25/32	16 63/64	7 3/5	13 5/16	19 11/16	21 5/8	10 29/32	54 39/64	295	C250/375	3/8"
16	3 15/16	19 9/64	7 3/4	15 7/16	21 21/32	23 37/64	10 29/32	60 43/64	364	C250/425	3/8"
18	4 11/64	21 17/64	10 5/8	17	23 35/64	26 25/32	15 1/32	67 21/64	485	C300/475	1/2"
20	4 21/64	23 45/64	10 5/8	19 3/32	25 29/32	28 3/4	15 1/32	73 3/4	617	C300/525	1/2"
24	4 21/64	27 7/8	10 5/8	23 7/32	29 27/32	32 43/64	15 1/32	85 3/4	728	C300/625	1/2"
28	4 21/64	32 27/32	14 31/32	27	35 7/16	37 51/64	17 31/64	100 15/64	1146	C350/730	3/4"
30	4 21/64	34 13/16	14 31/32	29 59/64	37 13/64	40 5/32	17 31/64	107 9/32	1290	C350/780	3/4"
32	4 21/64	39 31/32	12 19/32	31 9/64	38 7/64	43 7/64	17 31/64	112 23/64	1433	C350/830	3/4"
36	4 21/64	40 61/64	12 19/32	35 15/64	44 1/64	46 21/32	20 17/64	126 7/64	1874	C400/930	3/4"
40	4 21/64	45 9/32	12 19/32	38 25/64	48 15/64	50 19/32	20 17/64	137 13/64	2337	C400/1030	3/4"



**Sure Flow
Equipment Inc.**

Toll Free: 1-800-263-8251 Toll Free Fax: 1-800-876-1164
 International: 1-905-335-1350 International Fax: 1-905-332-4993
 Email: info@sureflowequipment.com www.sureflowequipment.com

