

Barred Tees

BARTEE150 / BARTEE300 / BARTEE600
SA234 - Carbon Steel / 304 - Stainless Steel / 316 - Stainless Steel

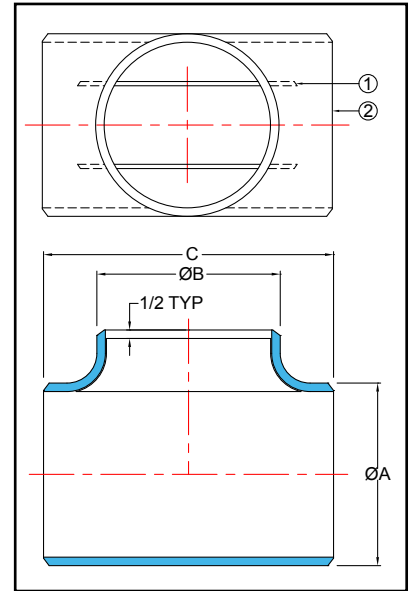
Buttweld End Connections



Sure Flow Barred Tees are manufactured to specific customer project specifications in a full range of sizes from ASME Class 150 to 2500 and higher. They are fabricated to the highest industry standards and pipeline vessel design codes in Carbon Steel, Stainless Steel or Alloy materials.

Custom fitted bar sections are welded to the branch of the buttweld Tee. The bars are added to ensure the Pig passes by the branch opening. Bar spacing is designed to prevent damage to the functional elements of the Pig.

Buttweld End Connections are standard. Optional Flanged Connections in raised face or RTJ, as well as extended pup-pieces, are available. Barred Tees are used in a pipeline Launcher/Receiver system and at any branch in the pipeline to ensure safe passage of the Pig.



Notes:

- Higher ASME pressure ratings available
- Larger sizes available

Manufacturer reserves the right to modify dimensions, materials, or design. Consult factory for certification.

Construction		
Item	1	2
Description	Bar	Buttweld Tee

Dimensions (Inches)															
A Run Size	Prefix	B Branch Size												C	
		2	3	4	6	8	10	12	14	16	18	20	24		
2	0200	1/4													5
3	0300	1/4	1/4												6 3/4
4	0400	1/4	1/4	1/4											8 1/4
6	0600	1/4	1/4	1/4	1/4										11 1/4
8	0800	1/4	1/4	1/4	1/4	1/4									14
10	1000	1/4	1/4	1/4	1/4	1/4	1/4								17
12	1200	1/2	1/2	1/2	1/2	1/2	1/2	1/2							20
14	1400	1/2	1/2	1/2	1/2	1/2	1/2	1/2	1/2						22
16	1600	1/2	1/2	1/2	1/2	1/2	1/2	1/2	1/2	1/2					24
18	1800	1/2	1/2	1/2	1/2	1/2	1/2	1/2	1/2	1/2	1/2				27
20	2000	1/2	1/2	1/2	1/2	1/2	1/2	1/2	1/2	1/2	1/2	1/2			30
24	2400	1/2	1/2	1/2	1/2	1/2	1/2	1/2	1/2	1/2	1/2	1/2	1/2	1/2	34
		1 Bar				2 Bars				3 Bars					
Bar Quantity and Thickness															

Ordering Information

Example: Include full description

Size Model
 (Prefix) Number
0200 BARTEE150/234

2" Barred Tee, ASME Class 150, Carbon Steel

Operating Pressures and Temperatures

Type	Size	psi @ Temp Steam	psi @ Temp WOG
BARTEE150234	2" - 24"	150 @ 366 °F	285 @ 100 °F
BARTEE150304/316			275 @ 100 °F
BARTEE300234	2" - 24"	300 @ 422 °F	740 @ 100 °F
BARTEE300304/316			720 @ 100 °F
BARTEE600234	2" - 24"	600 @ 489 °F	1480 @ 100 °F
BARTEE600304/316			1440 @ 100 °F



Sure Flow
 Equipment Inc.

Toll Free: 1-800-263-8251 Toll Free Fax: 1-800-876-1164
 International: 1-905-335-1350 International Fax: 1-905-332-4993
 Email: info@sureflowequipment.com www.sureflowequipment.com

