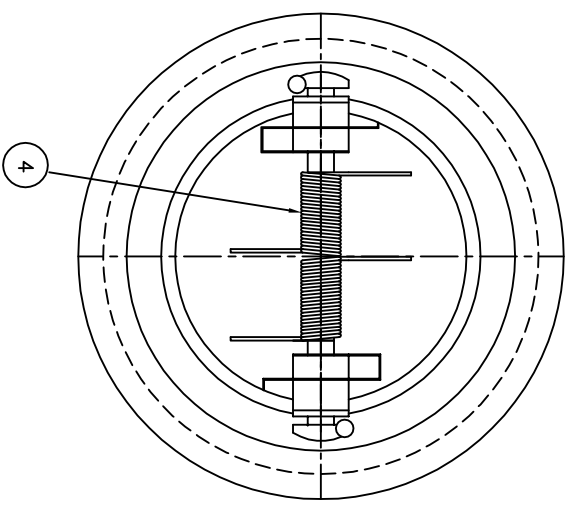
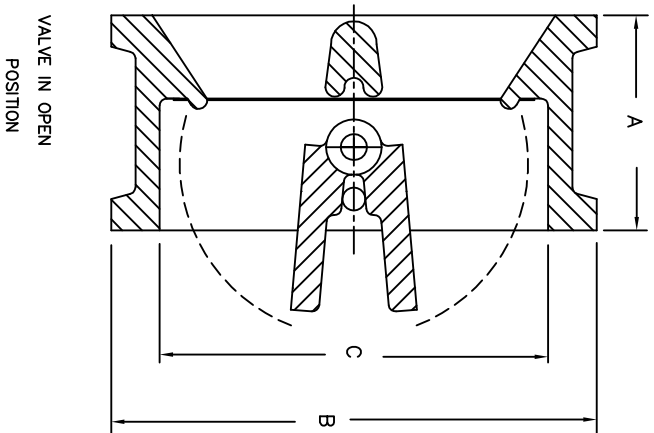
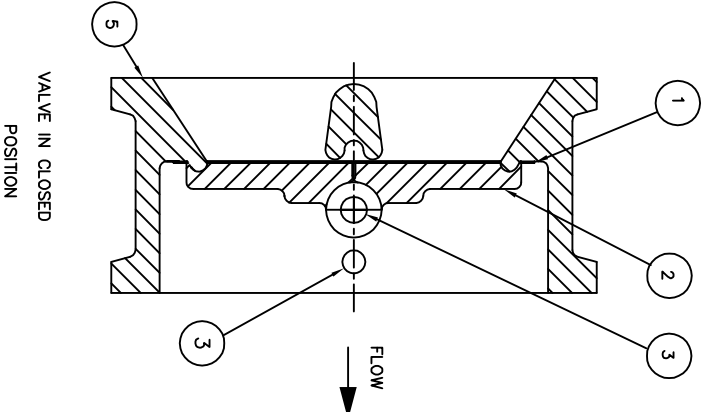


DIMENSIONS (INCH)

SIZE	A	B	C	WEIGHT (LBS)
2	2 3/8	4 3/8	2 3/8	6
2 1/2	2 3/8	5 1/8	2 5/16	-
3	2 7/8	5 7/8	3 3/4	11
4	2 7/8	7 1/8	4 1/2	15
5	3 1/4	8 1/2	5 3/4	-
6	3 7/8	9 7/8	6 5/8	38
8	5	12 1/8	8 5/8	70
10	5 3/4	14 1/4	10 3/4	-
12	7 1/8	16 5/8	12 5/8	157
14	8 3/4	19 1/8	13 3/4	282
16	9 1/8	21 1/4	16 11/16	423
18	10 3/8	23 1/2	18	-
20	11 1/2	25 1/2	20 1/4	-
24	12 1/2	30 1/2	23 3/4	-
26	14	32 7/8	24 3/4	-
28	15	35 3/8	27 5/8	-
30	14 1/2	37 1/2	30 1/8	-
32	16	39 5/8	30 13/16	-



PARTS LIST		QTY
ITEM	DESCRIPTION	
1	SEAT/SEAL	1
2	DISC	2
3	SHAFT	2
4	TORSION SPRING	2
5	CAST BODY	1

FOR APPROVAL OR QUOTATION PURPOSE ONLY

SURE FLOW EQUIPMENT INC.

This drawing is the property of Sure Flow Equipment Inc. It shall not be copied or duplicated in any manner and shall not be submitted to outside parties for examination without the written consent of Sure Flow Equipment Inc. It shall be used for reference to work under contract, or for proposals submitted by Sure Flow Equipment Inc. only.



Sure Flow Equipment Inc.
BURLINGTON, ONTARIO, CANADA

Model **2"-32" FE300SS CHECK VALVES**

Drawn **C.MACORETTA** Approved _____ Scale **NTS**

Date **JULY 3/07** Drawing Number **Q04769** Rev **_**