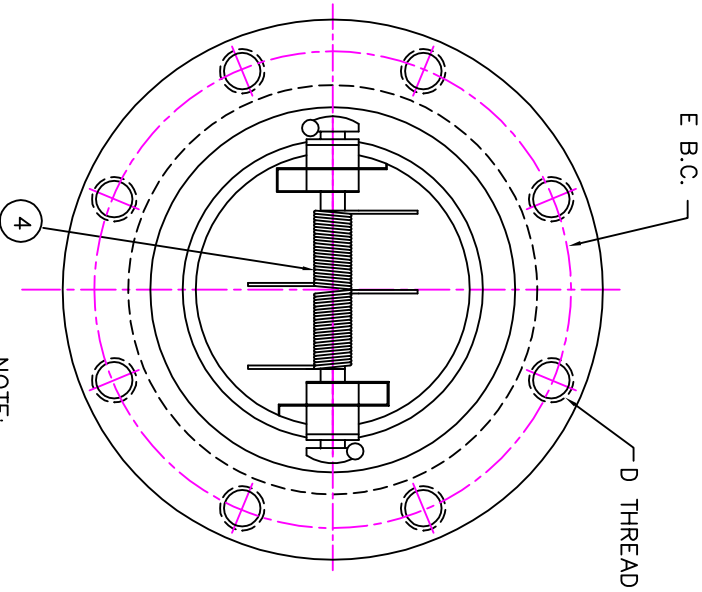
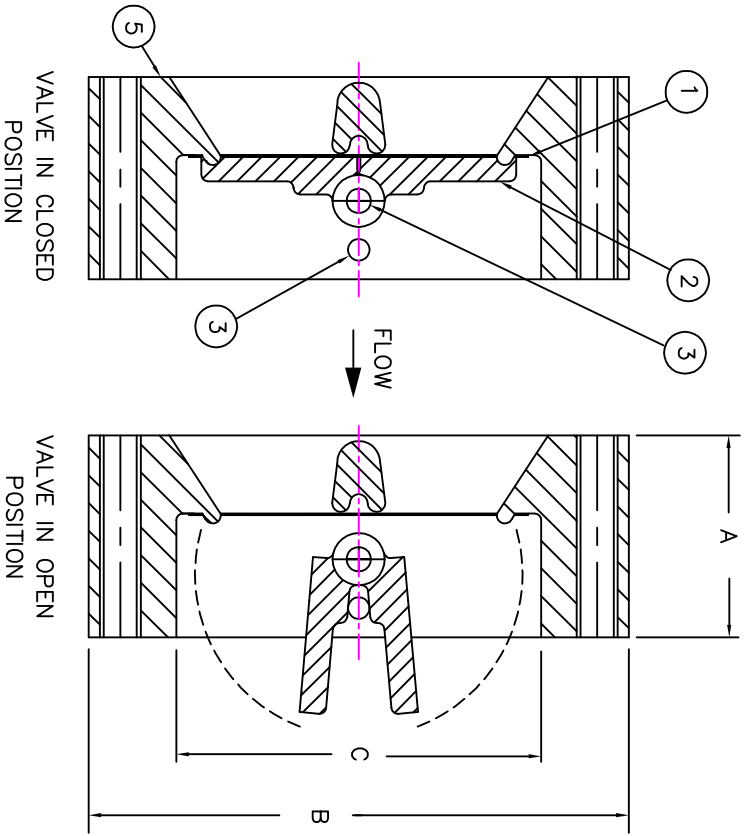


DIMENSIONS (INCH)					
SIZE	A	B	C	D THREAD	E B.C.
2	2 3/8	6	2 3/8	5/8-11UNC	4 3/4
3	2 7/8	7 1/2	3 3/4	5/8-11UNC	6
4	2 7/8	9	4 1/2	5/8-11UNC	7 1/2
6	3 7/8	11	6 5/8	3/4-10UNC	9 1/2
8	5	13 1/2	8 5/8	3/4-10UNC	11 3/4
10	5 3/4	16	10 3/4	7/8-9UNC	14 1/4



NOTE:
 FLANGES CORRESPOND TO THE
 REQUIREMENTS OF ASME STANDARD B16.5
 FOR APPROVAL OR QUOTATION PURPOSE ONLY

PARTS LIST			
ITEM	DESCRIPTION	SPECIFICATIONS	QTY
1	SEAT/SEAL	VITON/316 STAINLESS STEEL	1
2	DISC	SA351 CF8M	2
3	SHAFT	316 STAINLESS STEEL	2
4	TORSION SPRING	INCONEL	2
5	CAST BODY	SA351 CF8M	1

SURE FLOW EQUIPMENT INC.
 This drawing is the property of Sure Flow Equipment Inc. It shall not be copied or duplicated in any manner and shall not be submitted to outside parties for examination without the written consent of Sure Flow Equipment Inc. It shall be used for reference to work under contract, or for proposals submitted by Sure Flow Equipment Inc. only.

Sure Flow Equipment Inc.
 BURLINGTON, ONTARIO, CANADA

Model: 2"-10" FE150SSL CHECK VALVES
 Drawn: C.MACCORETTA
 Date: JULY03/07
 Approved: _____
 Drawing Number: Q04774
 Scale: NTS
 REV: _